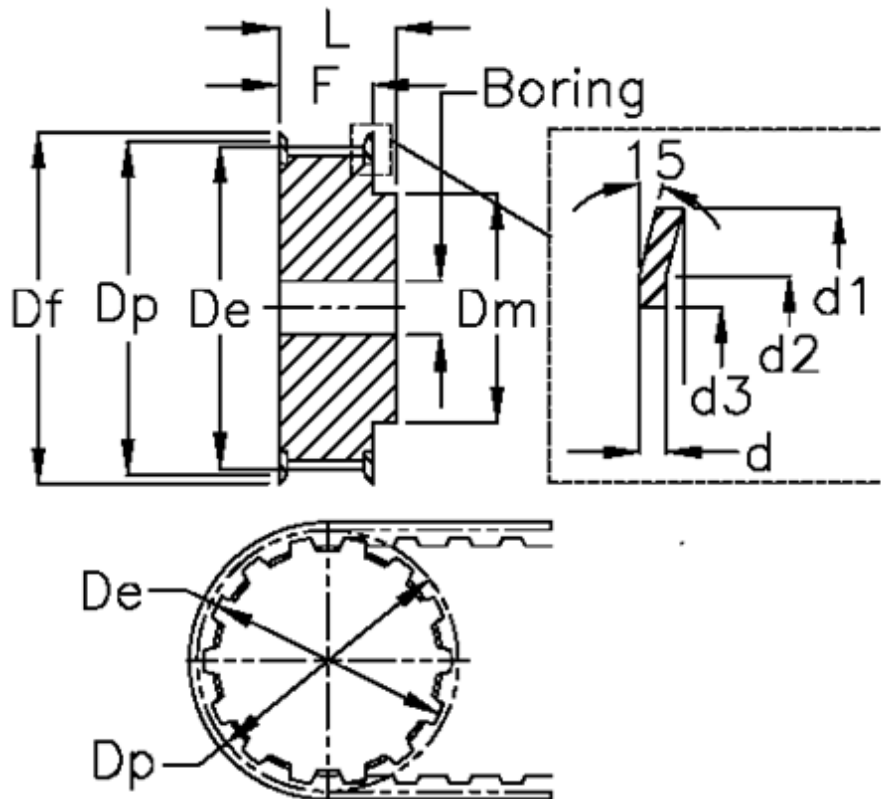


Article number: 60415236022

Description: Timing Belt Pulley 36 AT5 22/2

Measures



Belt width = - 25 mm	D_p	= 35
d = 1	F	= 30
d_1 = 38	Flange type	= F14
d_2 = 34	L	= 36
d_3 = 26.5	Pre-drilled	= 6
D_e = 33.85	Tooth number	= 22
D_f = 38	Type	= AT5
D_m = 24	Weight	= 0.08